

10A BEC

INSTRUCTION MANUAL



INTRODUCTION

Thank you for purchasing G-Force 6S 10A Super Mini S-BEC(Switching Mode Battery Eliminator Circuit). The BEC is a voltage regulator that supplies a constant voltage to the receiver and servo. For ESC with a built-in Linear BEC, it will likely have only a limited ability to supply power to your receiver and servos without overheating protection functions. If you are using a 4 cells LiPo battery or more than a 12 cells NiCd/NiMH battery, you should consider using G-Force 6S 10A Super Mini S-BEC. This S-BEC is small and light with wide input voltage from 6-25.2V. It is a waterproof BEC with over-current and over-heat protection functions. What's more, it is common for a switching BEC to attain 90% or higher efficiency.

FEATURES

- Compact size and light weight
- Wide input voltage from 6-25.2V (2-6 cells LiPo battery or 5-18 cells NiCd/NiMH battery)
- Over-current and over-heat protection functions
- Fully-enclosed design for waterproof
- 90% or higher efficiency
- Less electromagnetic interference

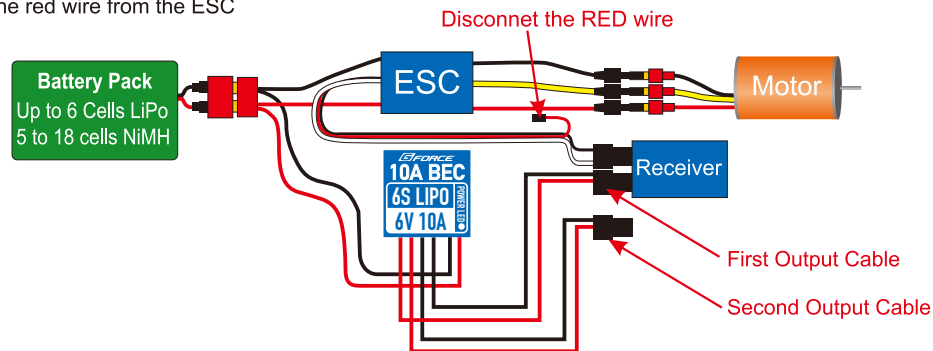
SPECIFICATION

- Input Voltage: 6-25.2V DC
- Input Leakage Current: $\leq 50\mu\text{a}$
- Input Idle Current: $\leq 20\mu\text{a}$
- Output Current: 10A
- Output Voltage: 6V +/- 0.1V
- Over Heat Protection
- Dimension: 23x23x15mm
- Weight: 30g
- Working Temp: -20-65°C
- Storage Temp: -10-70°C
- Protection: IP54

CONNECTIONS

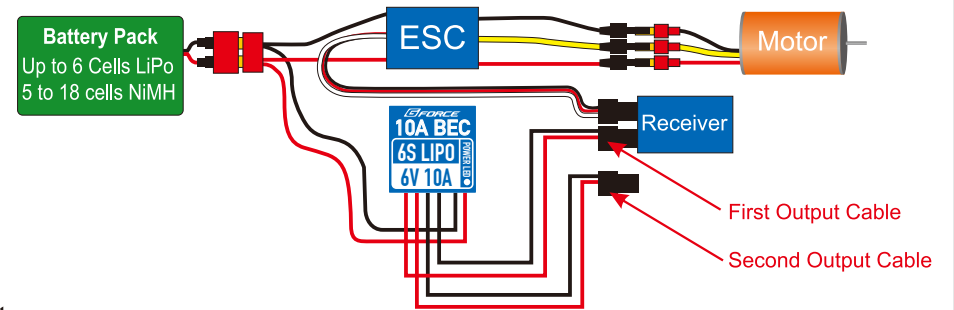
1. ESC with built-in BEC

You must disable the built-in BEC functions of the ESC first. Follow the diagram below to disconnect the red wire from the ESC



2. ESC without built-in BEC

You can leave the red wire intact when using an ESC without BEC



Note:

You can insert the second output cable into the free channel in the receiver so that the output current can go through two channels and the wire will not get so hot. For current over 5A, insert the second output cable to the receiver is necessary.

WARNING AND SAFETY NOTES

- Please find a place with good airflow to install the BEC
- Don't put any electronics on the heat sink of the BEC.
- Due to the vibration during flight, please make sure the cables are fixed well to the BEC.
- Don't disassemble the BEC by yourself or you will not enjoy our free repair service.
- Please disconnect the battery to the BEC if you don't use it.



Products by
G-FORCE, Inc. www.gforce-hobby.jp

Mare-kanda Bld.9F, 1-3-1, Kajicho, Chiyoda-ku, Tokyo, 101-0044, JAPAN

Copyright © 2015 G FORCE, Inc. All Right Reserved.

